



**REED SWITCH DEVELOPMENTS CORP.**

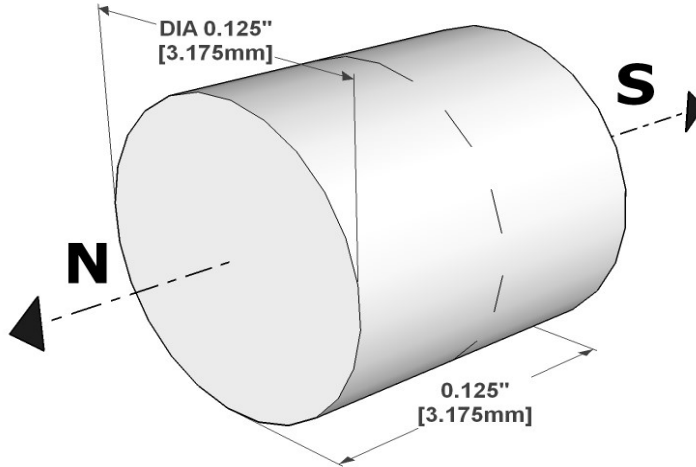
2524 Norwood Court  
Racine, WI 53403  
Ph: (262)883-9060

[sales@reedswitchdevelopments.com](mailto:sales@reedswitchdevelopments.com)

**SPECIFICATION SHEET**

Part Number:

**4901**



	Specifications	Description	UM
Physical/Magnetic	Material	Neodymium	
	Grade	N37	
	Shape	Cylindrical/Rod	
	Diameter	0.125/3.175	Inches/mm
	Thickness	0.125/3.175	Inches/mm
	Magnetic Orientation	Axially Magnetized	
	Plating	None	
	Max Operating Temperature	210/100	°F/°C
	Curie Temperature	536/280	°F/°C
	Pull-In Force	Standard Relative to Material/Grade/Mass	
	BR max	12200	Gauss
	BH max	35	MGOe
	Coercive Force Hc	11500	Oe
	Intrinsic Coercive Force Hci	18000	Oe

**Assembly Certifications**

RoHS	Y
Conflict Free Material	Y
Country of Origin	China

For More Information Visit:

[www.reedswitchdevelopments.com](http://www.reedswitchdevelopments.com)

Or Call Us At:

[262-883-9060](tel:262-883-9060)

IT SHALL BE THE RESPONSIBILITY OF THE BUYER TO ENSURE THAT THE GOODS ARE SUFFICIENT AND SUITABLE FOR THE PURPOSE OR PURPOSES INTENDED (WHETHER BY THE BUYER OR BY ANY THIRD PARTY) AND THAT THEIR CAPACITY AND PERFORMANCE IS NOT ADVERSELY AFFECTED BY ANY ITEMS USED IN THEIR INSTALLATION (WHERE RELEVANT) AND/OR IN CONNECTION WITH THEM.