



REED SWITCH DEVELOPMENTS CORP.

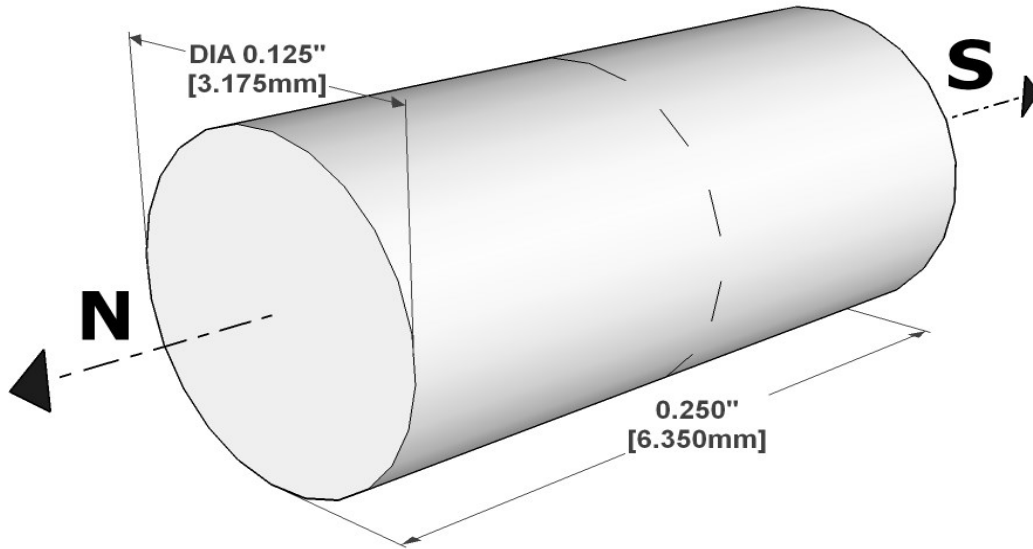
2524 Norwood Court
Racine, WI 53403
Ph: (262)883-9060

sales@reedswitchdevelopments.com

SPECIFICATION SHEET

Part Number:

4902



	Specifications	Description	UM
Physical/Magnetic	Material	Neodymium	
	Grade	N30	
	Shape	Cylindrical/Rod	
	Diameter	0.125/3.175	Inches/mm
	Thickness	0.25/6.35	Inches/mm
	Magnetic Orientation	Axially Magnetized	
	Plating	Nickel	
	Max Operating Temperature	176/80	°F/°C
	Curie Temperature	536/280	°F/°C
	Pull-In Force	Standard Relative to Material/Grade/Mass	
	BR max	11000	Gauss
	BH max	30	MGOe
	Coercive Force Hc	10000	Oe
	Intrinsic Coercive Force Hci	18000	Oe

Assembly Certifications

RoHS	Y
Conflict Free Material	Y
Country of Origin	China

For More Information Visit:

www.reedswitchdevelopments.com

Or Call Us At:

262-883-9060

IT SHALL BE THE RESPONSIBILITY OF THE BUYER TO ENSURE THAT THE GOODS ARE SUFFICIENT AND SUITABLE FOR THE PURPOSE OR PURPOSES INTENDED (WHETHER BY THE BUYER OR BY ANY THIRD PARTY) AND THAT THEIR CAPACITY AND PERFORMANCE IS NOT ADVERSELY AFFECTED BY ANY ITEMS USED IN THEIR INSTALLATION (WHERE RELEVANT) AND/OR IN CONNECTION WITH THEM.