



REED SWITCH DEVELOPMENTS CORP.

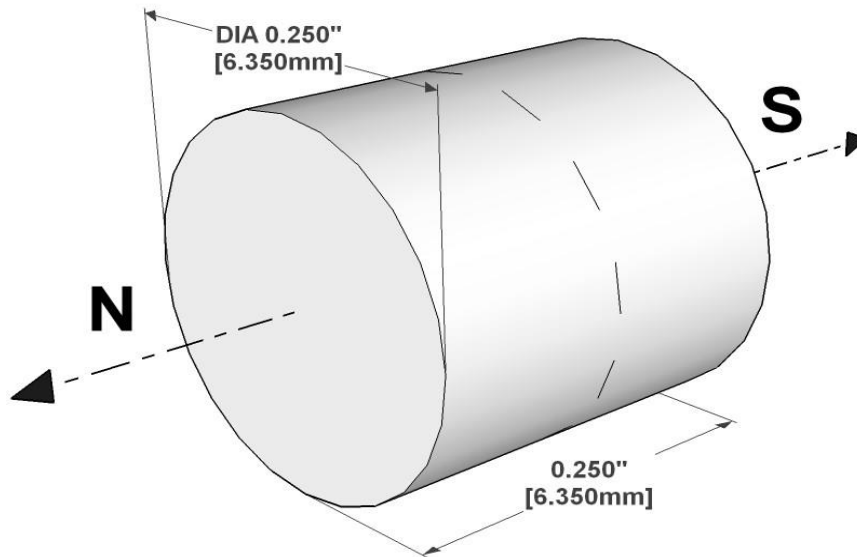
2524 Norwood Court
Racine, WI 53403
Ph: (262)883-9060

sales@reedswitchdevelopments.com

SPECIFICATION SHEET

Part Number:

4936



	Specifications	Description	UM
Physical/Magnetic	Material	Neodymium	
	Grade	N35	
	Shape	Cylindrical/Rod	
	Diameter	0.25/6.35	Inches/mm
	Thickness	0.25/6.35	Inches/mm
	Magnetic Orientation	Axially Magnetized	
	Plating	Nickel	
	Max Operating Temperature	210/100	°F/°C
	Curie Temperature	590/310	°F/°C
	Pull-In Force	Standard Relative to Material/Grade/Mass	
	BR max	12200	Gauss
	BH max	35	MGOe
	Coercive Force Hc	11500	Oe
	Intrinsic Coercive Force Hci	18000	Oe

*NORTH POLE MARKED WITH RED INDICATOR

Assembly Certifications

RoHS	Y
Conflict Free Material	Y
Country of Origin	China

For More Information Visit:

www.reedswitchdevelopments.com

Or Call Us At:

[262-883-9060](tel:262-883-9060)

IT SHALL BE THE RESPONSIBILITY OF THE BUYER TO ENSURE THAT THE GOODS ARE SUFFICIENT AND SUITABLE FOR THE PURPOSE OR PURPOSES INTENDED (WHETHER BY THE BUYER OR BY ANY THIRD PARTY) AND THAT THEIR CAPACITY AND PERFORMANCE IS NOT ADVERSELY AFFECTED BY ANY ITEMS USED IN THEIR INSTALLATION (WHERE RELEVANT) AND/OR IN CONNECTION WITH THEM.