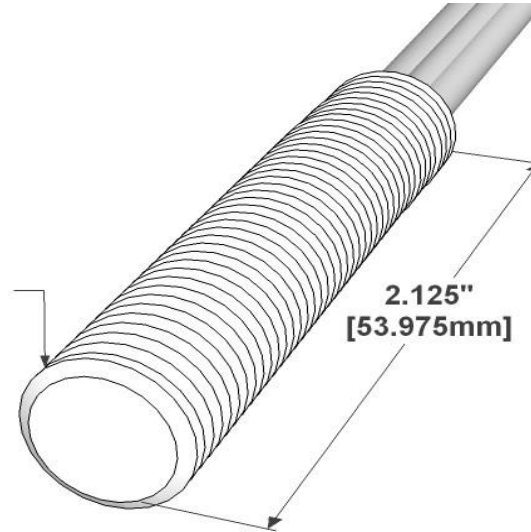


SPECIFICATION SHEET

Assembly Part Number:
2501-1710-100



Reed Specifications		
Physical	Configuration*	SPDT
	Form*	C
	Contact Position	OFFSET
	Glass L	32.89 mm
	Glass D	5.33 mm
	Total L*	85.98 mm
	Wire D	1.02 mm
	Gap Location	N/A
	Mount Spec*	THRU
	Contact Material	TUNGSTEN
	Max Vibration Resistance	N/A G
	Max Shock Resistance	N/A G
	Lead Tensile Strength	N/A KG
Operating	Pull in (+/- 2AT)*	50 - 65 AT
	Drop out*	N/A AT
	Operate Time (Including Bounce)	4.00 ms
	Bounce Time	N/A ms
	Release Time	3.90 ms
	Resonant Frequency	N/A Hz
	Max Operating Frequency	N/A Hz
	Operating Temperature Range	-40 - 105 °C
	Storage Temperature	N/A °C
DC Contact Rating	100 W	
Electrical	AC Contact Rating	N/A VA
	DC Switching Voltage	120 VDC
	AC Switching Voltage	85 VAC
	DC Switching Current	3.00 A
	AC Switching Current	3.00 A
	DC Max Carry Current	3.60 A
	AC Max Carry Current	3.60 A
	Min Breakdown Voltage	150 VDC
	Max Initial Contact Resistance	500 mOhm
	Typical Initial Contact Resistance	N/A mOhm
	Max Contact Capacitance	1.60 pF
Min Insulation Resistance	10^10 Ohm	

DIA 0.375" [9.525mm]
 3/8 - 27 THREAD

2.125"
 [53.975mm]

Assembly Characteristics

Housing	2501
Housing Material	ANODIZED AL (T6/6061)
Reed	1710
Configuration	SPDT
Form	C

Wire/Cable Characteristics

Type	WIRE
Length	18.0/457.2 in/mm
Conductor Count	3
Colors	RED, BLK, WHT
Insulation Material & Description	PVC
Gauge	22 AWG
Stranded Copper	7 STR
Maximum temperature	105 °C

Standard Actuator/Minimum Make Distance

2501-4932-000 - NEO 30 - Cylinder	.31/7.87 in/mm
-----------------------------------	----------------

Assembly Certifications

UL RECOGNIZED (File #: E102207)	Y
RoHS	Y

For More Information Visit:
www.reedswitchdevelopments.com

Or Call Us At:
 262-883-9060

IT SHALL BE THE RESPONSIBILITY OF THE BUYER TO ENSURE THAT THE GOODS ARE SUFFICIENT AND SUITABLE FOR THE PURPOSE OR PURPOSES INTENDED (WHETHER BY THE BUYER OR BY ANY THIRD PARTY) AND THAT THEIR CAPACITY AND PERFORMANCE IS NOT ADVERSELY AFFECTED BY ANY ITEMS USED IN THEIR INSTALLATION (WHERE RELEVANT) AND/OR IN CONNECTION WITH THEM.

* Pre-processed, bare reed element