



**REED SWITCH DEVELOPMENTS CORP.**

2524 Norwood Court  
Racine, WI 53403  
Ph: (262)883-9060

[sales@reedswitchdevelopments.com](mailto:sales@reedswitchdevelopments.com)

**SPECIFICATION SHEET**

**2020-1960-400**

Alternate Part Number:  
**AM2020-1960-10K01**

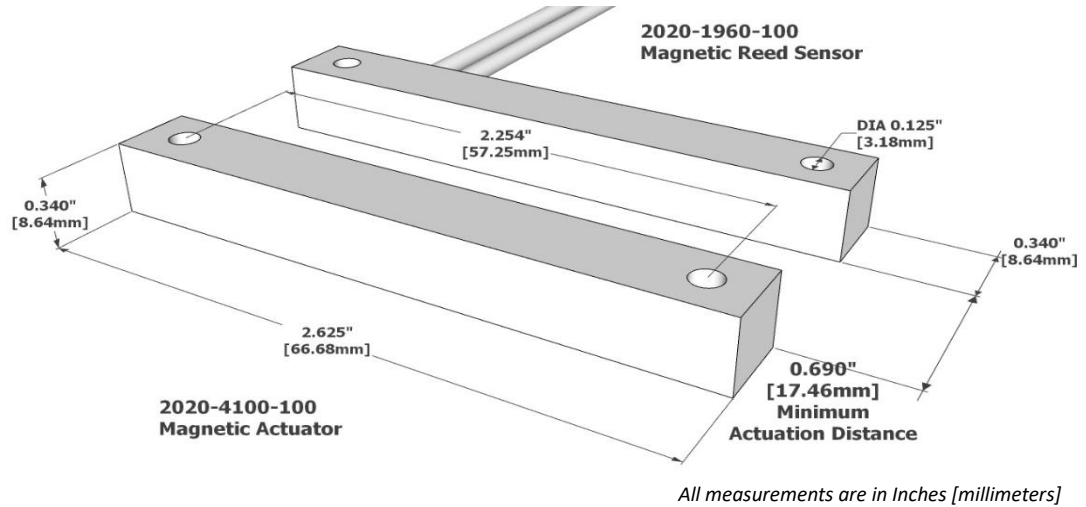
**Active / Equivalent Part Numbers:**

- 2020-1960-400 - KIT - Contains**
- (1) 2020-1960-100 - Magnetic Reed Sensor
- (1) 2020-4100-000 - Magnetic Actuator
- AM2020-1960-10K01 - KIT - Contains**
- (1) AM2020-1960-10-01 - Magnetic Reed Sensor
- (1) AM2020-4100-00-01 - Actuator

**Sensor (Reed) - Specifications 1960**

<b>Physical</b>	Configuration	SPST	
	Form	A	
	Contact Position	CENTER	
	Glass L	24.50	mm
	Glass D	3.80	mm
	Total L*	55.00	mm
	Wire D	0.80	mm
	Gap Location	CENTER	
	Mount Spec*	THRU	
	Contact Material	RHODIUM	
	Max Vibration Resistance	35	G
	Max Shock Resistance (11ms)	50	G
	Lead Tensile Strength	N/A	KG
<b>Operating</b>	Pull in (+/- 2AT)*	35 - 40	AT
	Drop out*	15	AT
	Operate Time	2.50	ms
	Bounce Time	0.50	ms
	Release Time	0.10	µs
	Resonant Frequency	2400	Hz
	Max Operating Frequency	200	Hz
	Operating Temperature Range	-40 - 105	°C
	Storage Temperature	N/A	°C
	<b>Electrical</b>	DC Contact Rating	60
AC Contact Rating		60	VA
DC Switching Voltage		400	VDC
AC Switching Voltage		400	VAC
DC Switching Current		3.00	A
AC Switching Current		3.00	A
DC Max Carry Current		4.00	A
AC Max Carry Current		4.00	A
Min Breakdown Voltage		1000	VDC
Max Initial Contact Resistance		80	mOhm
Typical Initial Contact Resistance		N/A	mOhm
Max Contact Capacitance	0.50	pF	
Min Insulation Resistance	10 <sup>11</sup>	Ohm	

\* Pre-processed, bare reed element



**Sensor - Wire/Cable Characteristics (cont.)**

Type	Wire
Conductor Count	2
Length	6.0"/152.4mm
Colors	BLK
Insulation Material	PVC
Gauge	24 AWG
Stranded Copper	7 STR-TC
Maximum Temp	105°C

**Housing Characteristics 2020**

Rectangular w/ Mounting Holes	
Length	2.625"/66.68mm
Width	0.340"/8.64mm
Height	0.340"/8.64mm
Material	Celanex 3316

**Standard Actuator: 2020-4100-000**

Specifications	Description	UM
Magnetic Orientation	Through Length	
Max Operating Temp.	975/525	°F/°C
Curie Temp.	1580/860	°F/°C
BR max	12.8	kGauss
BH max	5.5	MGOe
Coercive Force Hc	640	kOe
Intrinsic Coercive Force Hci	640	kOe

**Standard Sensor/Actuator - Min. Actuation Distance**

2020-4100-000	0.69"/17.5mm
---------------	--------------

**Assembly Certifications**

UL Recognized (File #: E102207)	Y
RoHS / REACH Compliant	Y
Conflict Free Material	Y

REV DATE: 10/06/2021

DISCLAIMER NOTICE: INFORMATION FURNISHED IS PROPRIETARY, AND IS BELIEVED TO BE ACCURATE AND RELIABLE, AND IS SUBJECT TO CHANGE WITHOUT NOTICE. IT SHALL BE THE RESPONSIBILITY OF THE BUYER TO ENSURE THAT THE GOODS ARE SUFFICIENT AND SUITABLE FOR THE PURPOSE OR PURPOSES INTENDED (WHETHER BY THE BUYER OR BY ANY THIRD PARTY) AND THAT THEIR CAPACITY AND PERFORMANCE IS NOT ADVERSELY AFFECTED BY ANY ITEMS USED IN THEIR INSTALLATION (WHERE RELEVANT) AND/OR IN CONNECTION WITH THEM.

**WBE Certified - State of Wisconsin - MFR CAGE CODE: 32604**

[www.reedswitchdevelopments.com](http://www.reedswitchdevelopments.com)