



REED SWITCH DEVELOPMENTS CORP.

2524 Norwood Court
Racine, WI 53403
Ph: (262)883-9060

sales@reedswitchdevelopments.com

SPECIFICATION SHEET

2052-1960-400

Alternate Part Number:
AM2052-1960-00K01

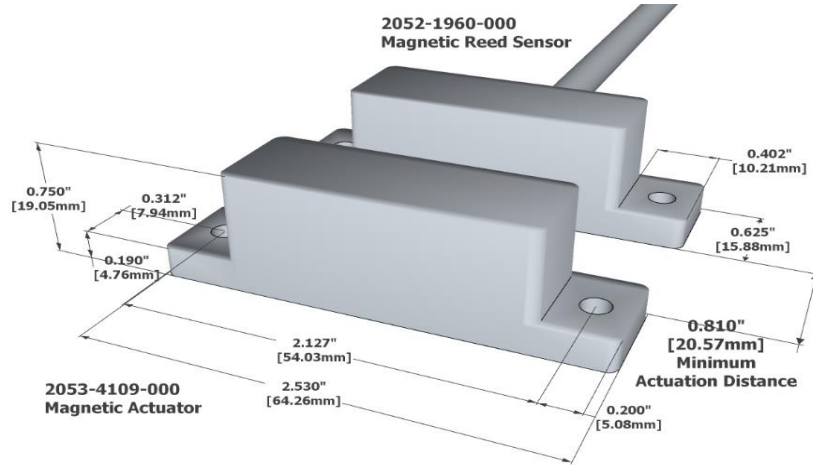
Active / Equivalent Part Numbers:

- 2052-1960-400 - KIT - Contains**
- (1) 2052-1960-000 - Magnetic Reed Sensor
- (1) 2052-4109-000 - Magnetic Actuator
- AM2052-1960-00K01 - KIT - Contains**
- (1) AM2052-1960-10-01 - Magnetic Reed Sensor
- (1) AM2052-4109-00-01 - Actuator

Sensor (Reed) - Specifications 1960

Physical	Configuration	SPST	
	Form	A	
	Contact Position	CENTER	
	Glass L	24.50	mm
	Glass D	3.80	mm
	Total L*	55.00	mm
	Wire D	0.80	mm
	Gap Location	CENTER	
	Mount Spec*	THRU	
	Contact Material	RHODIUM	
	Max Vibration Resistance	35	G
	Max Shock Resistance (11ms)	50	G
	Lead Tensile Strength	N/A	KG
Operating	Pull in (+/- 2AT)*	35 - 40	AT
	Drop out*	15	AT
	Operate Time	2.50	ms
	Bounce Time	0.50	ms
	Release Time	0.10	µs
	Resonant Frequency	2400	Hz
	Max Operating Frequency	200	Hz
	Operating Temperature Range	-40 - 105	°C
	Storage Temperature	N/A	°C
	Electrical	DC Contact Rating	60
AC Contact Rating		60	VA
DC Switching Voltage		400	VDC
AC Switching Voltage		400	VAC
DC Switching Current		3.00	A
AC Switching Current		3.00	A
DC Max Carry Current		4.00	A
AC Max Carry Current		4.00	A
Min Breakdown Voltage		1000	VDC
Max Initial Contact Resistance		80	mOhm
Typical Initial Contact Resistance		N/A	mOhm
Max Contact Capacitance	0.50	pF	
Min Insulation Resistance	10 ¹¹	Ohm	

* Pre-processed, bare reed element



All measurements are in Inches [millimeters]

Sensor - Wire/Cable Characteristics (cont.)

Type	Cable
Conductor Count	2
Length	18.0"/457.2mm
Colors	RED, BLK
Insulation Material	PVC
Gauge	20 AWG
Stranded Copper	19 STR
Maximum Temp	105°C

Housing Characteristics 2052

Rectangular w/ Mounting Tabs/Holes	
Length	2.530"/64.26mm
Width	0.625"/15.88mm
Height	0.750"/19.05mm
Material	Celanex 3316

Standard Actuator: 2052-4109-000

Specifications	Description	UM
Magnetic Orientation	Through Length	
Max Operating Temp.	975/525	°F/°C
Curie Temp.	1580/860	°F/°C
BR max	12.8	kGauss
BH max	5.5	MGOe
Coercive Force Hc	640	kOe
Intrinsic Coercive Force Hci	640	kOe

Standard Sensor/Actuator - Min. Actuation Distance

2052-4109-000	0.81"/20.6mm
---------------	--------------

Assembly Certifications

UL Recognized (File #: E102207)	Y
RoHS / REACH Compliant	Y
Conflict Free Material	Y

REV DATE: 10/06/2021

DISCLAIMER NOTICE: INFORMATION FURNISHED IS PROPRIETARY, AND IS BELIEVED TO BE ACCURATE AND RELIABLE, AND IS SUBJECT TO CHANGE WITHOUT NOTICE. IT SHALL BE THE RESPONSIBILITY OF THE BUYER TO ENSURE THAT THE GOODS ARE SUFFICIENT AND SUITABLE FOR THE PURPOSE OR PURPOSES INTENDED (WHETHER BY THE BUYER OR BY ANY THIRD PARTY) AND THAT THEIR CAPACITY AND PERFORMANCE IS NOT ADVERSELY AFFECTED BY ANY ITEMS USED IN THEIR INSTALLATION (WHERE RELEVANT) AND/OR IN CONNECTION WITH THEM.

WBE Certified - State of Wisconsin - MFR CAGE CODE: 32604

www.reedswitchdevelopments.com