



REED SWITCH DEVELOPMENTS CORP.

2524 Norwood Court
Racine, WI 53403
Ph: (262)883-9060

sales@reedswitchdevelopments.com

SPECIFICATION SHEET

2451-1166-400

Alternate Part Number:
AM2451-1166-10K01

Active / Equivalent Part Numbers:

2451-1166-400 - KIT - Contains

(1) 2451-1166-100 - Magnetic Reed Sensor

(1) 2451-4006-000 - Magnetic Actuator

AM2451-1166-10K01 - KIT - Contains

(1) AM2451-1166-10-01 - Magnetic Reed Sensor

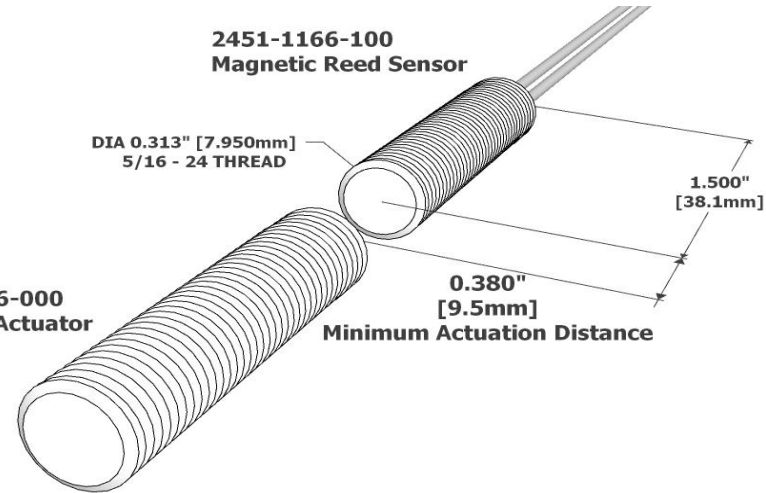
(1) AM2451-4006-00-01 - Magnetic Actuator

Sensor (Reed) - Specifications 1166

Physical		Operating		Electrical	
Configuration	SPST				
Form	A				
Contact Position	CENTER				
Glass L	19.00	mm			
Glass D	2.60	mm			
Total L*	55.00	mm			
Wire D	0.70	mm			
Gap Location	CENTER				
Mount Spec*	N/A				
Contact Material	N/A				
Max Vibration Resistance	20	G			
Max Shock Resistance (11ms)	50	G			
Lead Tensile Strength	N/A	KG			
Pull in (+/- 2AT)*	15-20	AT			
Drop out*	N/A	AT			
Operate Time	0.5	ms			
Bounce Time	INCL	ms			
Release Time	0.1	µs			
Resonant Frequency	N/A	Hz			
Max Operating Frequency	N/A	Hz			
Operating Temperature Range	-40 - 130	°C			
Storage Temperature	-55 - 130	°C			
DC Contact Rating	20	W			
AC Contact Rating	N/A	VA			
DC Switching Voltage	200	VDC			
AC Switching Voltage	140	VAC			
DC Switching Current	1.00	A			
AC Switching Current	1.00	A			
DC Max Carry Current	1.25	A			
AC Max Carry Current	1.25	A			
Min Breakdown Voltage	220	VDC			
Max Initial Contact Resistance	150	mOhm			
Typical Initial Contact Resistance	N/A	mOhm			
Max Contact Capacitance	0.30	pF			
Min Insulation Resistance	10 ¹²	Ohm			

* Pre-processed, bare reed element

**2451-4006-000
Magnetic Actuator**



All measurements are in Inches [millimeters]

Sensor - Wire/Cable Characteristics (cont.)

Type	Wire
Conductor Count	2
Length	6.0"/152.4mm
Colors	BLK
Insulation Material	PVC
Gauge	24 AWG
Stranded Copper	7 STR-TC
Maximum Temp	105°C

Housing Characteristics 2451

Cylindrical Threaded (5/16-24)	
Length / Thickness	1.500"/38.1mm
Diameter	0.313"/7.95mm
Material	Aluminum

Standard Actuator: 2451-4006-000

Specifications	Description	UM
Magnetic Orientation	Through Length	
Max Operating Temp.	975/525	°F/°C
Curie Temp.	1580/860	°F/°C
BR max	12.8	kGauss
BH max	5.5	MGOe
Coercive Force Hc	640	kOe
Intrinsic Coercive Force Hci	640	kOe
Standard Sensor/Actuator - Min. Actuation Distance		
2451-4006-000	0.38"/9.5mm	
Assembly Certifications		
UL Recognized (File #: E102207)	Y	
RoHS / Reach Compliant	Y	
Conflict Free Material	Y	

REV DATE: 10/06/2021

DISCLAIMER NOTICE: INFORMATION FURNISHED IS PROPRIETARY, AND IS BELIEVED TO BE ACCURATE AND RELIABLE, AND IS SUBJECT TO CHANGE WITHOUT NOTICE. IT SHALL BE THE RESPONSIBILITY OF THE BUYER TO ENSURE THAT THE GOODS ARE SUFFICIENT AND SUITABLE FOR THE PURPOSE OR PURPOSES INTENDED (WHETHER BY THE BUYER OR BY ANY THIRD PARTY) AND THAT THEIR CAPACITY AND PERFORMANCE IS NOT ADVERSELY AFFECTED BY ANY ITEMS USED IN THEIR INSTALLATION (WHERE RELEVANT) AND/OR IN CONNECTION WITH THEM.

WBE Certified - State of Wisconsin - MFR CAGE CODE: 32604

www.reedswitchdevelopments.com