



**REED SWITCH DEVELOPMENTS CORP.**

2524 Norwood Court  
Racine, WI 53403  
Ph: (262)883-9060

[sales@reedswitchdevelopments.com](mailto:sales@reedswitchdevelopments.com)

**SPECIFICATION SHEET**

**2005-1900-100**

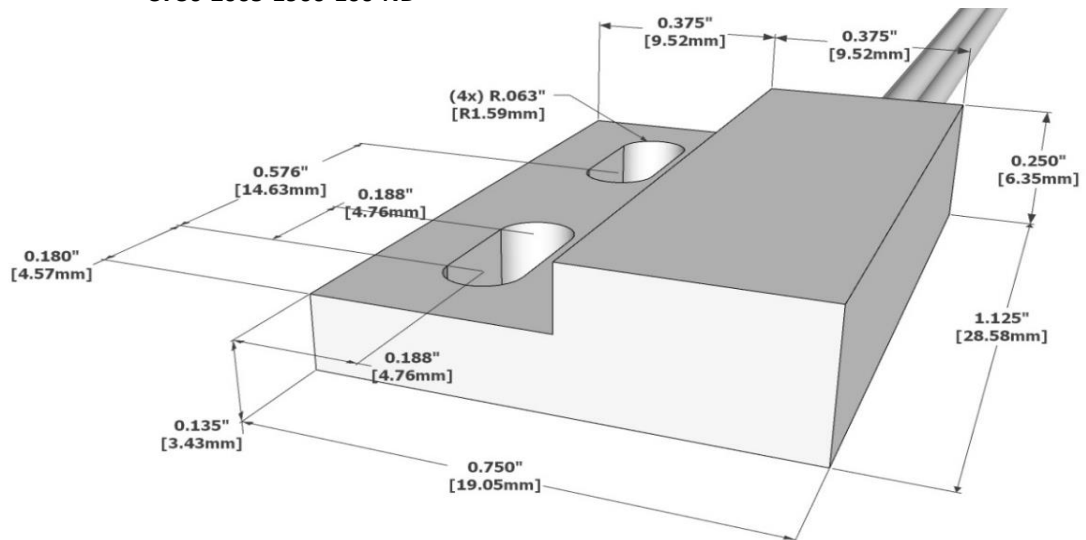
Alternate Part Numbers:  
**AM2005-1900-10-01**  
**3730-2005-1900-100-ND**

**Active / Equivalent Part Numbers:**

**2005-1900-100 - Magnetic Reed Sensor Only**  
**AM2005-1900-10-01 - Magnetic Reed Sensor Only**  
**3730-2005-1900-100-ND - Magnetic Reed Sensor Only**

Sensor (Reed) - Specifications		1900
Physical	Configuration	SPDT
	Form	C
	Contact Position	OFFSET
	Glass L	14.00 mm
	Glass D	2.30 mm
	Total L*	55.00 mm
	Wire D	0.53 mm
	Gap Location	
	Mount Spec*	THRU
	Contact Material	RHODIUM
Operating	Max Vibration Resistance	20 G
	Max Shock Resistance (11ms)	50 G
	Lead Tensile Strength	N/A KG
	Pull in (+/- 2AT)*	20 - 25 AT
	Drop out*	5 AT
	Operate Time	2.0 ms
	Bounce Time	0.60 ms
	Release Time	0.50 μs
	Resonant Frequency	N/A Hz
	Max Operating Frequency	250 Hz
Electrical	Operating Temperature Range	-40 - 105 °C
	Storage Temperature	N/A °C
	DC Contact Rating	20 W
	AC Contact Rating	20 VA
	DC Switching Voltage	150 VDC
	AC Switching Voltage	150 VAC
	DC Switching Current	1.00 A
	AC Switching Current	1.00 A
	DC Max Carry Current	2.00 A
	AC Max Carry Current	2.00 A
Min Breakdown Voltage	200 VDC	
Max Initial Contact Resistance	150 mOhm	
Typical Initial Contact Resistance	N/A mOhm	
Max Contact Capacitance	0.80 pF	
Min Insulation Resistance	10 <sup>9</sup> Ohm	

\* Pre-processed, bare reed element



All measurements are in Inches [millimeters]

**Sensor - Wire/Cable Characteristics (cont.)**

Type	Wire
Conductor Count	3
Length	6.0"/152.4mm
Colors	RED, BLK, WHT
Insulation Material	PVC
Gauge	24 AWG
Stranded Copper	7 STR-TC
Maximum Temp	105°C

**Conductor Configuration**

Common (COM) - WHITE
Normally Open (NO) - RED
Normally Closed (NC) - BLACK

For More Information Visit:

[www.reedswitchdevelopments.com](http://www.reedswitchdevelopments.com)

Or Call Us At:

262-883-9060

**Housing Characteristics 2005**

Rectangular w/ Mounting Tab/Holes	
Length	1.125"/28.58mm
Width	0.750"/19.05mm
Height	0.250"/6.35mm
Material	Celanex 3316

**Standard Sensor/Actuator - Min. Actuation Distance**

2005-4000-000	0.13"/3.30mm
---------------	--------------

**Assembly Certifications**

UL Recognized (File #: E102207)	Y
RoHS / Reach Compliant	Y
Conflict Free Material	Y

REV DATE: 04/20/2023

DISCLAIMER NOTICE: INFORMATION FURNISHED IS PROPRIETARY, AND IS BELIEVED TO BE ACCURATE AND RELIABLE, AND IS SUBJECT TO CHANGE WITHOUT NOTICE. IT SHALL BE THE RESPONSIBILITY OF THE BUYER TO ENSURE THAT THE GOODS ARE SUFFICIENT AND SUITABLE FOR THE PURPOSE OR PURPOSES INTENDED (WHETHER BY THE BUYER OR BY ANY THIRD PARTY) AND THAT THEIR CAPACITY AND PERFORMANCE IS NOT ADVERSELY AFFECTED BY ANY ITEMS USED IN THEIR INSTALLATION (WHERE RELEVANT) AND/OR IN CONNECTION WITH THEM.

**WBE Certified - State of Wisconsin - MFR CAGE CODE: 32604**

[www.reedswitchdevelopments.com](http://www.reedswitchdevelopments.com)